

WILMINGTON
- ANGLED -



Cabinets: Torrance White
Hood: Wilmington V1 Torrance White

available **styles**



V1 Classic Moulding Smooth



V2 Flat Moulding Strapped



V3 Walnut Band Smooth



V4 Smooth Maple Band

wilmington **features**

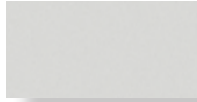
- Angled Chimney Available in 36 & 48" Heights (Trimmable by 6")
- Available in 30, 36, 42, & 48" Widths
- Constructed with a 3/4" Plywood Materials with a Maple Veneer
- Moulding on Apron (Varies by Style)
- Two Piece Construction for Easy Mounting & Access to Ducting

WILMINGTON

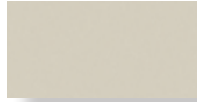
- ANGLED -

available finishes

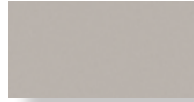
Our Wood Hoods are available in any one of our framed Highland Series paints and stains to match your cabinets seamlessly. In addition to our standard finishes, our hoods are available in an exclusive hood only finish, Shadow Black or Unfinished (Raw) for in-field color customization.



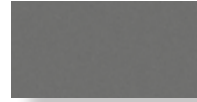
White



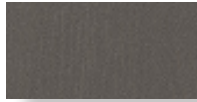
Antique White



Dove



Grey



Cinder



Saddle



Shadow Black

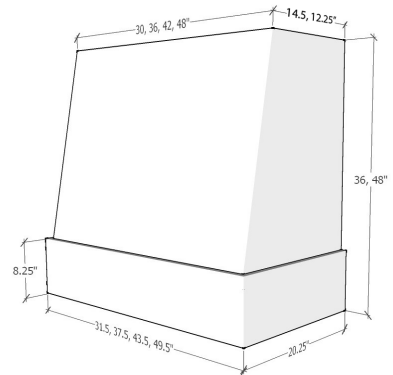
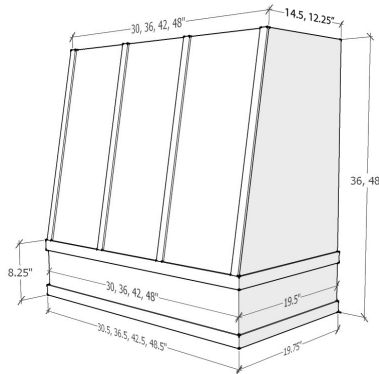
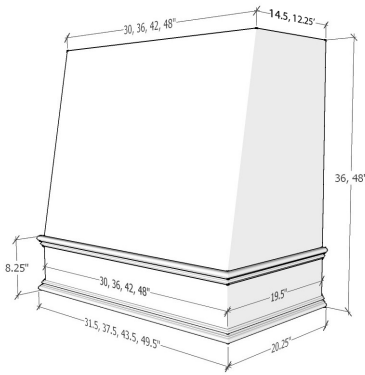
*exclusive hood finish



Unfinished (Raw)

frequently asked questions

What are the exterior & interior dimensions of the hoods?



Size	Interior Width at Bottom	Interior Depth at Bottom	Interior Width at Top	Interior Depth at Top
3036	28-1/2"	18"	28-1/2"	12-3/4"
3636	34-1/2"	18"	34-1/2"	12-3/4"
4236	40-1/2"	18"	40-1/2"	12-3/4"
4836	46-1/2"	18"	46-1/2"	12-3/4"
3048	28-1/2"	18"	28-1/2"	10-3/4"
3648	34-1/2"	18"	34-1/2"	10-3/4"
4248	40-1/2"	18"	40-1/2"	10-3/4"
4848	46-1/2"	18"	46-1/2"	10-3/4"

How many straps are on the chimney of strapped styles?

The number of straps on a hood is dependent on the overall width of the hood.

One Strap

- 30"W

Two Straps

- 36"W
- 42"W

Three Straps

- 48"W